

Myers®

Pentair Water™

PROFESSIONAL SSE CATALOG



WHERE
INNOVATION
MEETS **TRADITION**

THE PREMIER NAME IN QUALITY PUMPS SINCE 1870

Myers was founded in 1870 by Francis and Philip Myers in Ashland, Ohio. The brothers began by building farm implements and then engineered and manufactured the first double-acting hand pump that delivered water on both the up and down strokes. From this modest beginning, the Myers pump line grew and evolved over the decades to include wastewater removal and industrial pumps and systems. In 1960 the Myers family sold the business to the McNeil Corporation of Akron, Ohio. In 1986 the business was acquired

by Pentair, Inc. of St. Paul, Minnesota, where Myers is part of this \$3 billion corporation's water products group.

Myers is located on 80 acres in Ashland and operates in a modern 410,000 square foot manufacturing, distribution, foundry, and office facility, employing approximately 600 people dedicated to supplying top quality jet and submersible well pumps; utility, sump and sewage pumps; effluent pumps; non-clog and other large waste handling pumps; and high pressure reciprocating and centrifugal pumps and pumping systems for residential, agricultural, commercial, municipal and industrial applications for North America and more than 100 foreign countries.



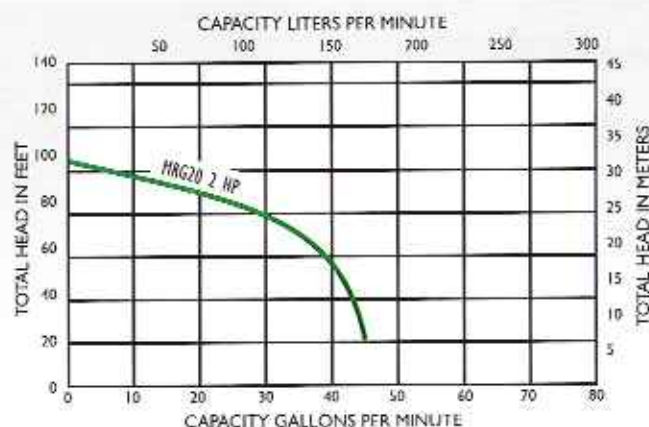
The Myers Mission is to provide extraordinary, responsive service and quality products so that our customers find it easy to do business with us.

MRG20

2 HP Single Seal Grinder Pump for Residential Applications

SPECIFICATIONS

Applications	Sewage Grinding, Effluent and Wastewater Removal	
Capacities	45 GPM	170 LPM
Shut-off Head	105'	32 m
Liquids Handling	raw sewage	
Intermittent Liquid Temp.	up to 140°F	up to 60°C
Winding	311°F	155°C
Motor Electrical Data	2 HP, 3450 RPM, 1Ø - capacitor start/run 230V; 60Hz, 15A	
Acceptable pH Range	6-9	
Discharge, NPT	1-1/4"	31.75 mm
Sump Diameter Duplex	36"	91.4 cm
Motor Housing	cast iron	
Impeller	eng. thermoplastic	
Power Cord	20'	
Shaft Seal (Optional)	carbon & ceramic tungsten carbide	
Pump, Motor Shaft	stainless steel (416 SS)	
Minimum Sump Diameter		
Simplex:	24"	61.0 cm
Duplex:	36"	91.4 cm



FEATURES

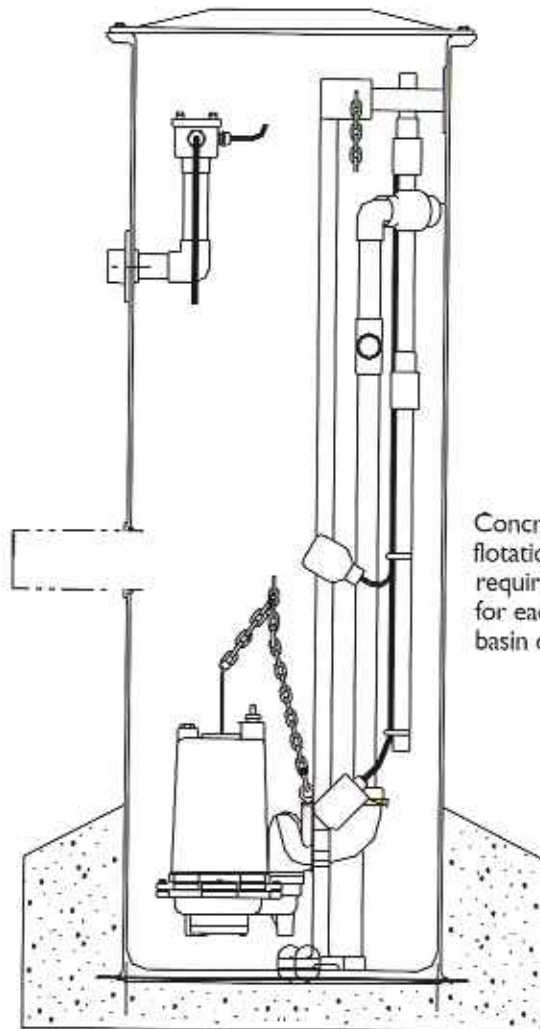
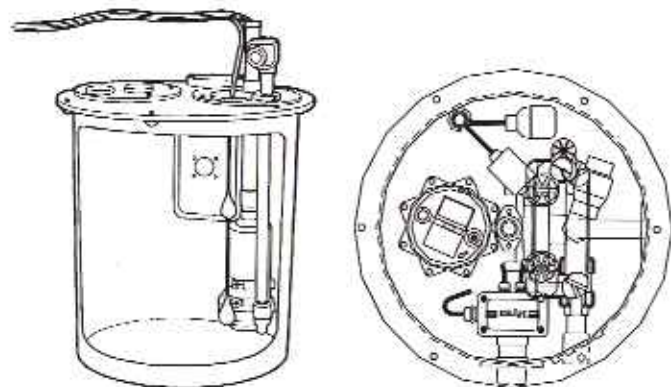
- The MRG20 Series features a patented cutter mechanism and recessed impeller design to effectively macerate typical sewage solids into fine slurry
- Durable motor will deliver many years of reliable service
- Oil-filled motor for maximum heat dissipation and constant bearing lubrication
- Recessed impeller reduces radial bearing loads and increases bearing life
- High-torque capacitor starts single-phase motor for assured starting under heavy load; no external capacitor needed
- Heavy-duty 2 HP listed, wide-angle float switch
- On-winding current and temperature-sensitive overload
- The MRG20 is designed for easy maintenance
- Shredding ring and grinder impeller are replaceable without dismantling pump or motor (440 Stainless Steel, 58-60 Rockwell)
- 300 Series Stainless Steel fasteners

MRG20 GRINDER PUMP SYSTEMS

Completely Pre-Engineered, Pre-Packaged, Pre-Assembled* Systems Ready for Installation

SPECIFICATIONS

Applications	Package designed specifically for use in residential or light commercial sewer applications with long discharge or high static heads
Pump	Myers model MRG20; 2 HP, capacities to 42 GPM, shut-off head 105 feet (see page 43 for more detailed specifications)
Basin	Fiberglass, available in 24" diameter x 60"/72"/84" or 96" depths
Cover	Polypropylene
Guide Rails	3/4" standard stainless steel pipe
Floats	18/2 SJOW, UL Listed for use in sewage applications
Control Panel	NEMA 4 rated disconnect panel with alarm light
Junction Box	NEMA 4X rated
Inlet Fittings	4" compression-style hub (included)
Outlet	1-1/4" NPT



Concrete anti-flotation base requires 2 cu. ft. for each foot of basin depth.

*Pump and inlet hub shipped separately – must be field installed. Wiring connections to be made by qualified electrician.

FEATURES

SYSTEM BENEFITS

- Eliminate guesswork of selecting components
- No mismatched or improperly fitting parts
- Easy installation – installer only has to excavate, secure, connect discharge lines, locate and mount inlet hub, locate and mount panel, install pump in basin and connect electrical wiring

INSIDE PACKAGES

- Simplex 30" x 36":
- MRG20 2 HP grinder pump 230V, 1Ø
 - 30" x 36" FRP basin
 - Steel cover
 - Two SDR-35 inlet hubs and Sch. 40 adapters
 - Wide-angle on/off float switch and a mercury alarm float switch
 - Check valve

OUTSIDE PACKAGES

- Simplex 24":
- MRG20 2 HP grinder pump 230V, 1Ø
 - Basin, FRP 24" x 5'
 - 24" x 6'
 - 24" x 7'
 - 24" x 8'
 - Polypropylene cover
 - Two SDR-35 inlet hubs and Sch. 40 adapters

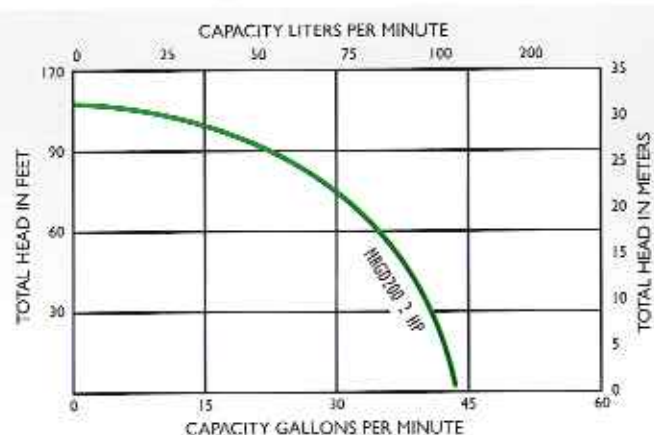
- Quick-disconnect rail system with stainless steel rails, check valve and ball valve
- Wide-angle on/off float switch and a mercury alarm float switch
- NEMA 4X junction box

MRGD200 & MRGD200-RETROFIT

2 HP Double Seal Grinder Pump for Residential Applications

SPECIFICATIONS

Applications	Sewage Grinding, Effluent and Wastewater Removal	
Capacities	42 GPM	159 LPM
Shut-off Head	105'	32 m
Liquids Handling	raw sewage	
Continuous Liquid Temp.	105°F	41°C
Motor Electrical Data	2 HP, dry-wound, cap. start/cap. run, thermal overload protected, 230V, 1Ø, 60Hz, 13.4 FLA; 230/460V, 3Ø, 60Hz, 8.2/4.1 FLA	
Acceptable pH Range	5-9	
Discharge	1-1/4" NPT	31.75 mm
Sump Diameter Duplex	36"	
Motor Housing	cast iron	
Impeller	cast iron, 10 vane	
Power Cord	20'	
Shaft Seal Standard	dual mechanical seal	
Pump, Motor Shaft	stainless steel	
Cutters	stainless steel, 440C hardened to 55 - 60 Rockwell "C", dual cutters	
Operations	float switch optional	



FEATURES

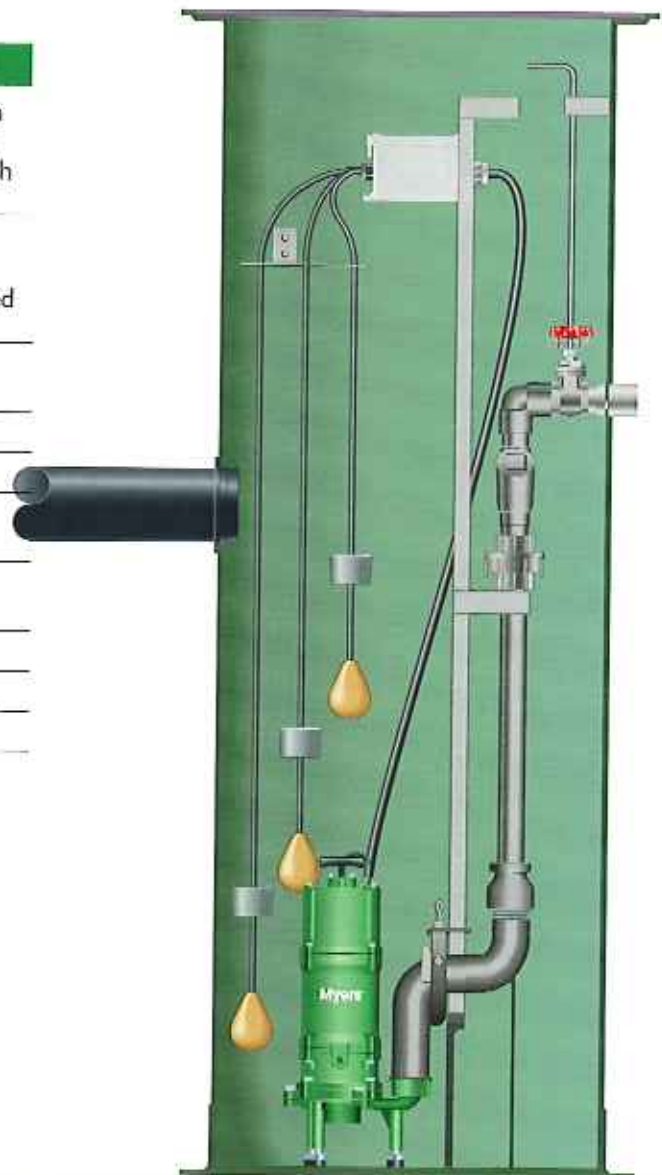
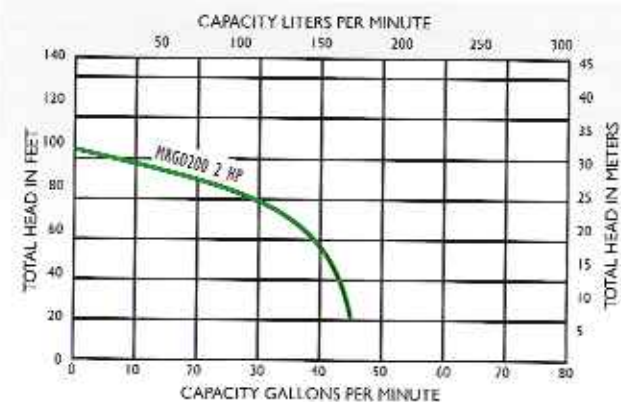
- 2 HP; single-phase, 230V; 3-phase, 230/460V
- Superior "grinding" capabilities
- High-torque, capacitor start/capacitor run motor
- Dry-wound motor, better efficiency and serviceable, thermal overload protected
- Temperature rated at 105°F (41°C)
- Dual shaft seals – silicon carbide/silicon carbide and carbon/ceramic
- Dual cutter design – stainless steel
- Cast iron 10-vane impeller
- Upper and lower "shielded" ball bearings
- Retrofittable with ALL major competitors
- Double-cord strain relief
- Replaceable 20' (6 m), jacketed SOW power cord
- 16 AWG (1 phase)
- 14 AWG (3 phase)
- Retrofit package is completely assembled, ready to drop-in-place replacement package

TURNKEY SIMPLEX BASIN PACKAGE

Simplex Pre-Assembled Grinder Package

SPECIFICATIONS

Applications	Package designed specifically for use in residential or light commercial sewer applications with long discharge or high static heads
Pump	Myers model MRGD200; 2 HP, capacities to 42 GPM, shut-off head 105 feet (see page 43 for more detailed specifications)
Basin	Fiberglass, available in 24" diameter x 60"/72"/84" or 96" depths
Cover	Thermoplastic
Guide Rails	3/4" standard stainless steel pipe
Floats	16/2 SJOW, UL Listed for use in sewage applications
Control Panel	NEMA 4 rated disconnect panel with alarm light
Junction Box	Fiberglass, NEMA 6 rated
Inlet Fittings	4" compression-style hub (included)
Outlet	1-1/4" NPT



FEATURES

PACKAGE

- Pre-assembled package. To install, simply slide pump assembly down guide rail system, connect plumbing and electrical service and system is ready to go

PUMP

- Effectively macerates typical domestic sewage solids into a fine slurry

COVER

- Rated to withstand momentary loads of residential lawn equipment

GUIDE RAILS

- Package includes pre-assembled cast iron discharge elbow, discharge flanges, steel spacer, Stainless Steel upper guide rail bracket and lift chain. Also includes bronze gate valve and ball check valve

JUNCTION BOX

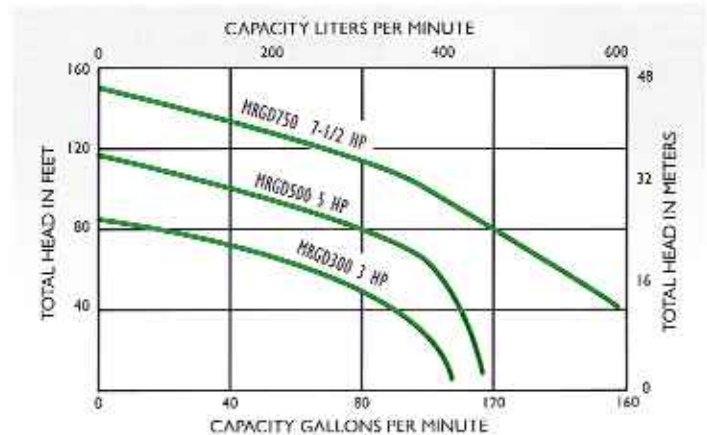
- Allows for simple electrical connections, easy service access and protection of connections

MRGD300/MRGD500/MRGD750 SERIES

3, 5 and 7-1/2 HP Grinder Pumps

SPECIFICATIONS

Applications	Residential and Commercial Sewage	
Capacities	160 GPM	605.7 LPM
Shut-off Head	150'	45.7 m
Liquids Handling	raw sewage	
Intermittent Liquid Temp.	130°F	55°C
Motor Electrical Data	Manual model — control panel required	
Acceptable pH Range	5-9	
Discharge NPT	2"	50.8 mm
Sump Diameter Duplex	36"	762 mm
Motor Housing	cast iron	
Impeller	hardened stainless steel	
Power Cord	25'	
Shaft Seal Standard	dual, carbon & ceramic	
Pump, Motor Shaft	stainless steel	
Cutters	hardened stainless steel	



FEATURES

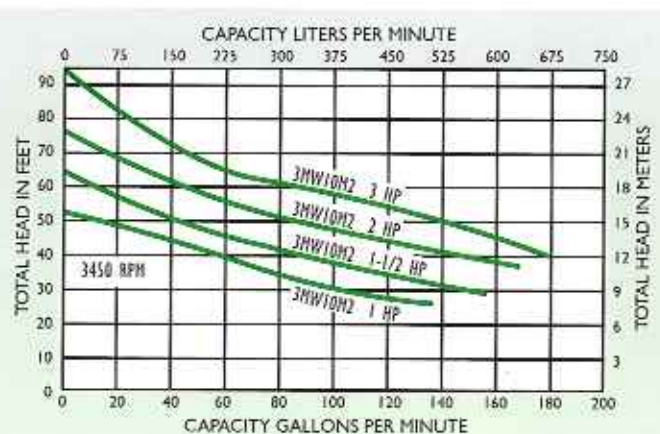
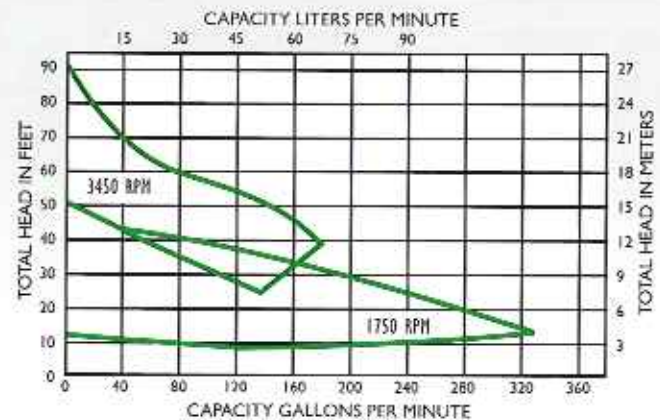
- 3, 5 or 7-1/2 HP
- Class 30 cast iron construction
- 2" NPT discharge
- Carbon/ceramic shaft seal
- Oil-filled motor with automatic reset overload provides safe operation
- Ball-bearing construction for long life
- Easily field replaceable power cord
- Control panels required (sold separately)
- Log kit available (sold separately)

3MW SERIES

3" Non-Clog Wastewater Pumps Vertical Discharge

SPECIFICATIONS

Applications	Sewage, High-Capacity Sump, Effluent	
Capacities	330 GPM	1,247 LPM
Shut-off Head	92'	28.0 m
Solids Handling		
1750 RPM:	2-1/2"	63.5 mm
3450 RPM:	2"	50.6 mm
Liquids Handling	raw sewage, rain water, effluent	
Intermittent Liquid Temp.	140°F	60°C
Available Motor	1750 RPM	3450 RPM
(single phase are PSC type; three phase need Myers control panel)	1-1/2-3 HP	1-3 HP
	208/230V, 1Ø, 60Hz	208/230/460/575V, 3Ø, 60Hz
Acceptable pH Range	6-9	
Discharge	3" NPT (vertical)	
Sump Diameter Duplex	48"	1,2 m
Motor Housing	cast iron	
Power Cord	25', SOW/SOWA	
Shaft Seal (Optional)	carbon/ceramic type 21 tungsten carbide	



FEATURES

- High-efficiency hydraulic design
- Two-vaned rounded port impellers
- Offered in two speeds
- Hydraulic end virtually maintenance-free
- Volute seal ring replaceable in minutes
- Durable motor for reliable service
- Oil-filled motor for constant bearing lubrication
- High-torque, permanent split capacitor (PSC), single-phase motors; no starting switches or relays
- Optional seal leak probe (dual seal motors only)
- Current and temperature overload (single phase only)

LIMITED WARRANTY SUMP & RESIDENTIAL SEWAGE

During the time periods and subject to the conditions hereinafter set forth, F.E. Myers will repair or replace to the consumer any portion of your new MYERS product which proves defective due to defective materials or workmanship. Contact your nearest Authorized MYERS Dealer for warranty service. At all times MYERS shall have and possess the right and option to determine whether to repair or replace defective equipment, parts, or components. Damage due to conditions beyond the control of MYERS is NOT COVERED BY THIS WARRANTY.

WARRANTY PERIOD

Pumps: 12 months from date of installation or 18 months from date of manufacture.

Labor, etc. Costs: MYERS shall IN NO EVENT be responsible or liable for the cost of field labor or other charges to the customer in removing and/or re-affixing any MYERS product, part or component thereof.

THIS WARRANTY WILL NOT APPLY: (a) to defects or malfunctions resulting from failure to properly install, operate, or maintain the unit in accordance with printed instructions provided; (b) to failures resulting from abuse, accident or negligence; (c) to maintenance services and the parts used in connection with such service; (d) to units which are not installed in accordance with applicable local codes, ordinances and good trade practices; or (e) unit is used for purposes other than for what it was manufactured, and (f) if three-phase submersible motors are installed on a single-phase power supply using a phase converter. If three-phase power is supplied by only two transformers, making an open Delta system.

RETURN OR REPLACED COMPONENTS: Any item to be replaced under this Warranty must be returned to Myers in Ohio, or such other place as MYERS may designate, freight prepaid.

PRODUCT IMPROVEMENTS: MYERS reserves the right to change or improve its products or any portions thereof. MYERS is not obligated to provide such a change or improvement for units sold and/or shipped prior to such a change or improvement.

WARRANTY EXCLUSIONS: MYERS SPECIFICALLY DISCLAIMS THE IMPLIED WARRANTIES OF MERCHANTABILITY AND FITNESS FOR A PARTICULAR PURPOSE AFTER THE TERMINATION OF THE WARRANTY PERIOD SET FORTH ABOVE.

Some states do not permit some or all of the above warranty limitations and, therefore, such limitations may not apply to you. No warranties or representations at any time made by any representative of MYERS shall vary or expand the provisions of this Warranty.

LIABILITY LIMITATION: IN NO EVENT SHALL MYERS BE LIABLE OR RESPONSIBLE FOR CONSEQUENTIAL DAMAGES RESULTING FROM OR RELATED IN ANY MANNER TO ANY MYERS PRODUCT OR SERVICE THEREOF. PERSONAL INJURY AND/OR PROPERTY DAMAGE MAY RESULT FROM IMPROPER INSTALLATION OR USE OF MYERS PRODUCTS. MYERS DISCLAIMS ALL LIABILITY, INCLUDING LIABILITY UNDER THIS WARRANTY, FOR IMPROPER INSTALLATION OR USE. MYERS RECOMMENDS FOLLOWING THE INSTRUCTIONS IN THE INSTALLATION MANUAL. WHEN IN DOUBT, CONSULT A PROFESSIONAL.

Some states do not allow the exclusion or limitation of incidental or consequential damages, so the above limitations may not apply to you.

This Warranty gives you specific legal rights and you may also have other rights which vary from state to state.

In the absence of suitable proof of the purchase date, the effective date of this Warranty will be based upon the date of manufacture.

DETERMINATION OF UNIT DATE OF MANUFACTURE: Submersible Sump Pump (8-95) month and year stamped on nameplate; Column Sump Pump month and year on red warranty tag.



For more information about Myers Plumbing Products contact your local
Myers Distributor, or our facilities in Ashland, Ohio.

Myers[®]

1101 Myers Parkway
Ashland, Ohio 44805
419/289-1144 • Fax: 419/289-6658

269 Trillium Drive
Kitchener, Ontario, Canada N2G 4W5
519/748-5470 • Fax: 519/748-2553



www.myerspump.com