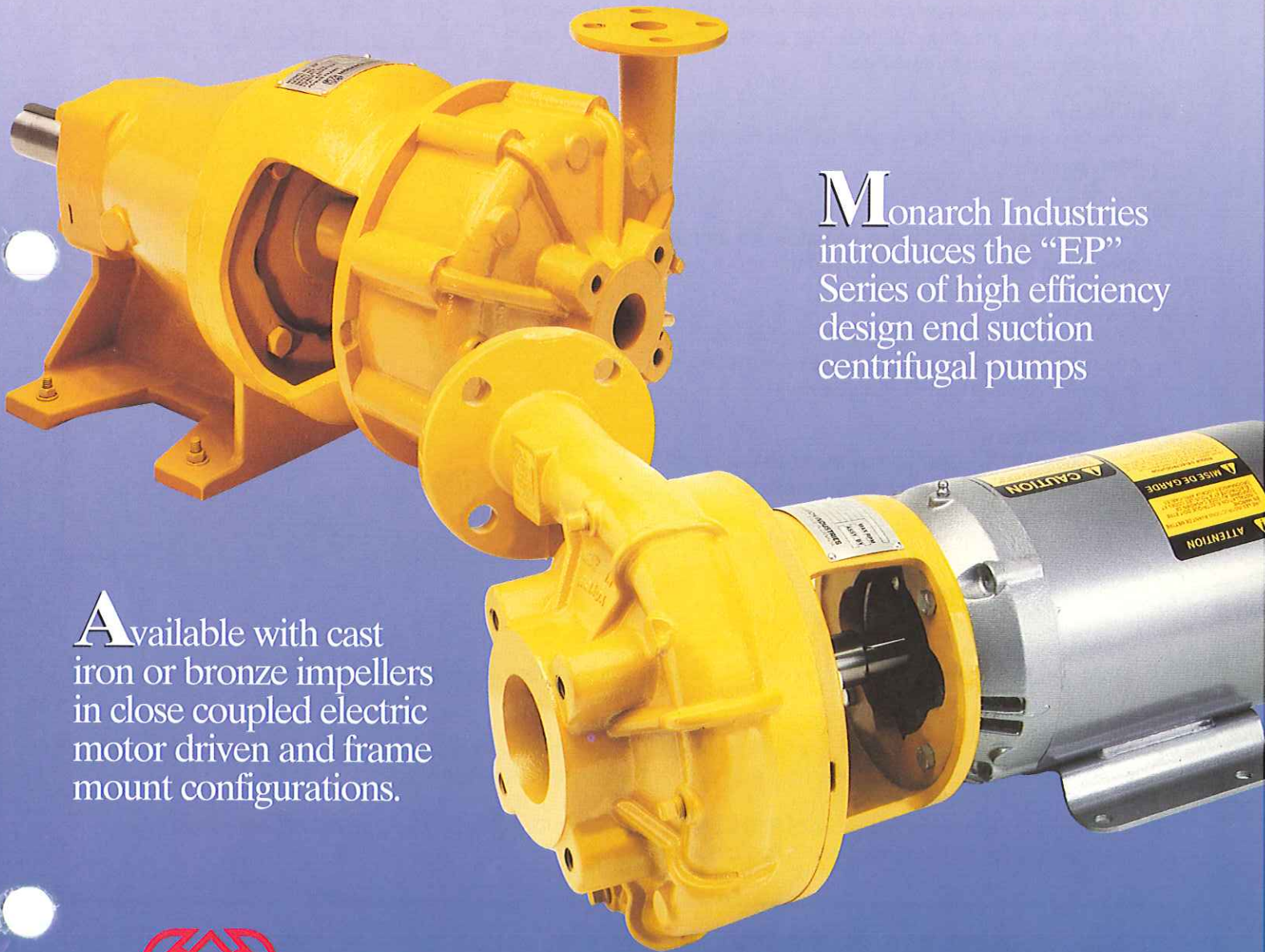


EP

ENGINEERED POWER

SERIES



Monarch Industries introduces the “EP” Series of high efficiency design end suction centrifugal pumps

Available with cast iron or bronze impellers in close coupled electric motor driven and frame mount configurations.



MONARCH INDUSTRIES

The EP Series end suction centrifugal pumps are of a rugged cast iron design. Suitable for a wide variety of markets including irrigation, industrial, commercial and marine. These pumps are engineered to provide you with long reliable service.

FEATURES

Casing

Ductile iron casing with reinforcing ribs for higher working pressures and greater resistance to water hammer.

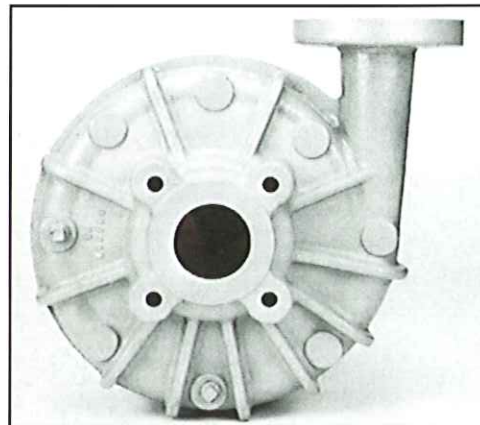
Impeller

Vacuum cast bronze impeller provides smooth flow passages for improved performance.

- Cast iron impellers are also available.
- All impellers are dynamically balanced, with hydraulic balancing included on larger models.

Seals

Frame mount and JP motor driven pumps are available with either gland packing or single, double or tungsten carbide mechanical seals. JM motor driven pumps are available with single or tungsten carbide mechanical seals only. All seals are equipped standard with stainless steel springs and retainers.



Shaft Sleeve

Stainless steel with O-ring seal, for maximum protection against shaft corrosion.

Wear Rings

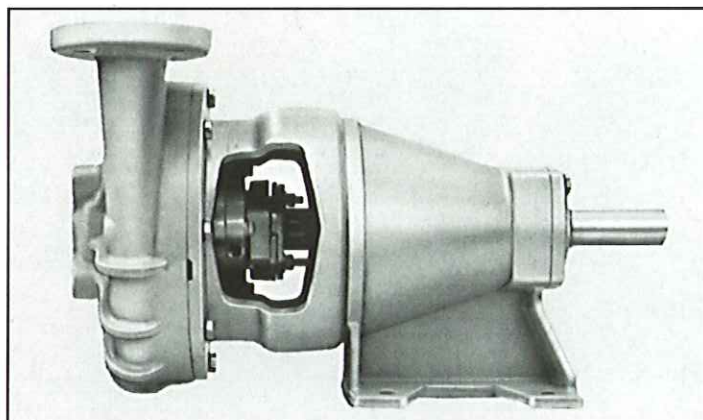
Provided in all pumps to prolong casing life and to allow close tolerances for improved efficiency.

Suction Flange

On all pumps for simple piping connection. A complete line of companion flanges are available to convert suction to NPT if required.

Discharge Flange

On all models. Discharge may be rotated to eight different positions to better suit your exact requirements.



POWER FRAME

Electric Motor Driven

Close coupled JP motors in ODP or TEFC for a compact, economical design. JM motors up to 15 HP.

Frame Mount

Heavy duty bearing frame allows for belt or coupling drive, with bearings sized for improved life. A variety of frames are available for each pump, allowing you to tailor the pump to your needs.

The EP Series is suitable for heads up to 350 feet and flows up to 700 U.S. GPM. Monarch Industries has other models available for performance up to 2,500 U.S. GPM.



Head Office:
Monarch Industries Limited
889 Erin St., P.O. Box 429
Winnipeg, MB Canada R3C 3E4

U.S. Headquarters:
Monarch Industries Inc.
9201 Penn Ave South, Bay 12
P.O. Box 20476
Minneapolis, MN 55431

PRINTED
IN
CANADA
200291

**CHARACTERISTIC
CURVES**

RANGE CHART

Bulletin No: 11.50C01-1
Supersedes: 11.50C01

